









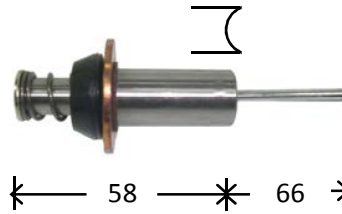
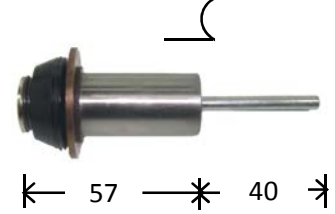
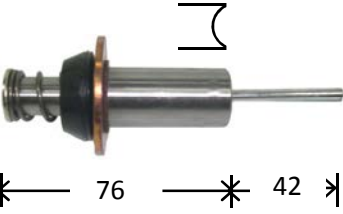
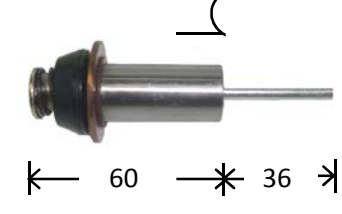
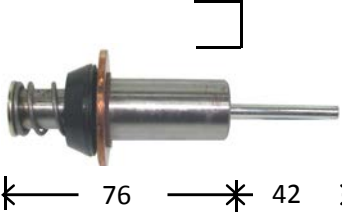
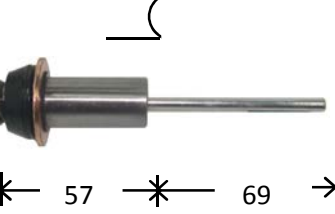


# ASSY - CONTACTS

<p><b>SSC-142B</b> NIKKO TYPE</p> 	<p><b>SSC-146B</b> NIKKO TYPE</p>  <p>INSTEAD OF NO. 148, 171</p>	<p><b>SSC-147B</b> NIKKO TYPE</p>  <p>INSTEAD OF NO. 149, 150, 151, 155,156, 158, 158L, 160, 161, 164, 167</p>	<p><b>SSC-157B</b> NIKKO TYPE</p>  <p>INSTEAD OF NO. 159</p>
<p><b>SSC-1200B</b> HITACHI TYPE</p> 	<p><b>SSC-1211B</b> HITACHI TYPE</p>  <p>INSTEAD OF NO. 1212, 1215, 1217, 1218,1219,1221,1222,1223,1224,1225,1226,1227,1228,2524</p>	<p><b>SSC-1503B</b> MITSUBISHI TYPE</p>  <p>INSTEAD OF NO. 1504, 1505, 1506, 1507, 1508, 1509, 1513, 1514, 1523, 1530</p>	<p><b>SSC-1515B</b> MITSUBISHI TYPE</p>  <p>INSTEAD OF NO. 1516, 1520, 1522</p>
<p><b>SSC-1540B</b> MITSUBISHI TYPE</p>  <p>INSTEAD OF NO. 1543</p>	<p><b>SSC-1562B</b> MITSUBISHI TYPE</p> 	<p><b>SSC-1567B</b> MITSUBISHI TYPE</p> 	<p><b>SSC-1569B</b> MITSUBISHI TYPE</p> 
<p><b>SSC-1608B</b> NIPPONDENSO TYPE</p>  <p>INSTEAD OF NO. 1611, 1700, 1701,1705</p>	<p><b>SSC-1660B</b> NIPPONDENSO TYPE</p>  <p>INSTEAD OF NO. 1661, 1680</p>	<p><b>SSC-1708B</b> NIPPONDENSO TYPE</p>  <p>INSTEAD OF NO. 1709, 1711</p>	<p><b>SSC-1758B</b> BOSCH TYPE</p>  <p>INSTEAD OF NO. 1781</p>
<p><b>SSC-2511B</b> HITACHI TYPE</p> 	<p><b>SSC-2512B</b> HITACHI TYPE</p> 	<p><b>SSC-2515B</b> HITACHI TYPE</p>  <p>INSTEAD OF NO. 2516, 2517, 2521, 2523</p>	<p><b>SSC-2518B</b> HITACHI TYPE</p>  <p>INSTEAD OF NO. 2519, 2520</p>
<p><b>SSC-2600B</b> NIPPONDENSO TYPE</p>  <p>INSTEAD OF NO. 2603, 2604</p>	<p><b>SSC-2701B</b> SAWAFUJI TYPE</p>  <p>INSTEAD OF NO. 2702, 2704, 2705,2706,2707, 2716 NO.28180-1010 POINT ASSY</p>	<p><b>SSC-2709B</b> SAWAFUJI TYPE</p>  <p>INSTEAD OF NO. 2710, 2711, 2712</p>	<p><b>SSC-2713B</b> SAWAFUJI TYPE</p>  <p>INSTEAD OF NO. 2714, 2715, 2717, 2718, 2719, 2720</p>
<p><b>SSC-2713SB</b> SAWAFUJI TYPE</p> 			

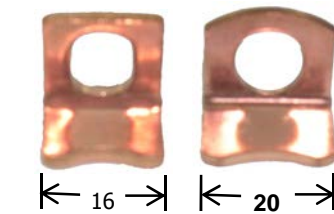
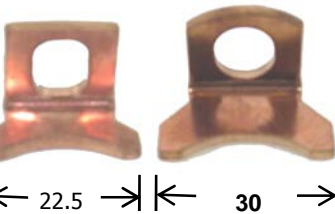

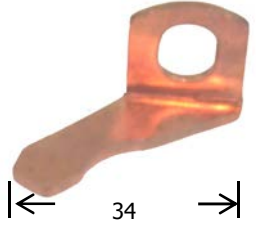

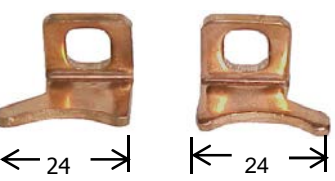
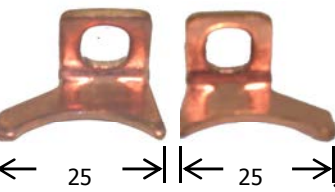
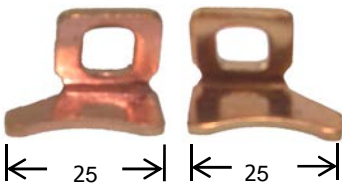
# SOLENOID PARTS

<p><b>SSC-1</b>      <b>SSC-11</b></p>  <p>ISUZU ELF 250 - 12 V.</p>	<p><b>SSC-2</b>      <b>SSC-22</b></p>  <p>ISUZU JCM HINO KM - 24 V.</p>	<p><b>SSC-3</b>      <b>SSC-33</b></p>  <p>TOYOTA DYNA - 12 V.</p>	<p><b>SSC-4</b>      <b>SSC-44</b></p>  <p>HINO FM, EH500, EH700 - 24 V.</p>
<p><b>SSC-5</b>      <b>SSC-55</b></p>  <p>ISUZU FASTER - 12 V.</p>	<p><b>SSC-6</b>      <b>SSC-66</b></p>  <p>TOYOTA 2L - 12 V.</p>	<p><b>SSC-7</b></p>  <p>TOYOTA TIGER - 12 V.</p>	<p><b>SSC-8</b></p>  <p>FORD RANGER - 12V.</p>

## PLUNGER

<p><b>SSC-98</b></p>  <p>TOYOTA, HONDA</p>	<p><b>SSC-100</b></p>  <p>TOYOTA TIGER</p>	<p><b>SSC-101</b></p>  <p>ISUZU JCM, HINO (HOLE)</p>	<p><b>SSC-102</b></p>  <p>ISUZU KBZ, HILUX</p>
<p><b>SSC-103</b></p>  <p>TOYOTA, ISUZU</p>	<p><b>SSC-200</b></p> 	<p><b>SSC-D1604</b></p>  <p>133 MM</p>	<p><b>SSC-D1870</b></p>  <p>136 MM</p>

## ASSY-CONTACTS

<p><b>SSC-104</b>      <b>SSC-106</b></p>  <p>← 16 →    ← 20 →</p>	<p><b>SSC-105</b>      <b>SSC-107</b></p>  <p>← 22.5 →    ← 30 →</p>	<p><b>SSC-108L</b>      <b>SSC-108R</b></p>  <p>← 23 →    ← 23 →</p>	<p><b>SSC-109</b></p>  <p>← 34 →</p>
<p><b>SSC-110</b></p> 	<p><b>SSC-112L</b>      <b>SSC-112R</b></p>  <p>← 24 →    ← 24 →</p>	<p><b>SSC-113L</b>      <b>SSC-113R</b></p>  <p>← 25 →    ← 25 →</p>	<p><b>SSC-114L</b>      <b>SSC-114R</b></p>  <p>← 25 →    ← 25 →</p>




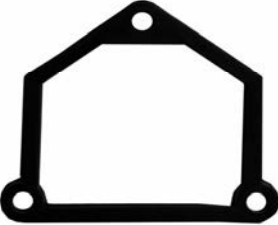
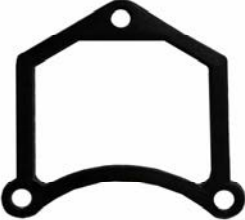
# ASSY-CONTACTS

<p><b>SSC-104B</b></p>  <p>KBZ</p>	<p><b>SSC-105B</b></p>  <p>KBZ</p>	<p><b>SSC-106B</b></p>  <p>JCM</p>	<p><b>SSC-107B</b></p>  <p>JCM</p>
<p><b>SSC-1515</b></p>  <p>L 200</p>	<p><b>SSC-1700-CS</b></p>  <p>TERMINAL SET FOR TOYOTA DYNA (SHORT)</p>	<p><b>SSC-1700-CL</b></p>  <p>TERMINAL SET FOR TOYOTA DYNA (LONG)</p>	<p><b>SSC-1709</b></p>  <p>TERMINAL SET FOR TOYOTA DYNA</p>
<p><b>SSC-2707C L</b></p> 	<p><b>SSC-2707C S</b></p> 	<p><b>SSC-2707C-T L</b></p> 	
<p><b>SSC-ND2.5S</b></p>  <p>STUD SCREW FOR KBZ (SHORT)</p>	<p><b>SSC-ND2.5L</b></p>  <p>STUD SCREW FOR KBZ (LONG)</p>	<p><b>SSC-ND4.5S</b></p>  <p>SCREW JCM (SHORT)</p>	<p><b>SSC-ND4.5L</b></p>  <p>SCREW JCM (LONG)</p>
<p><b>SSC-ND2.5</b></p>  <p>KBZ</p>	<p><b>SSC-ND4.5</b></p>  <p>JCM</p>	<p><b>BK-USA-2</b></p> 	

# ASSY-CONTACTS

<b>SSC-146C</b> 	<b>SSC-155C</b> 	<b>SSC-158C</b> 	<b>SSC-754C</b> 
<b>SSC-1211C</b> 	<b>SSC-1227C</b> 	<b>SSC-1503C</b> 	<b>SSC-1506C</b> 
<b>SSC-1515C</b> 	<b>SSC-1567C</b> 	<b>SSC-1567C-T</b> 	<b>SSC-1569C</b> 
<b>SSC-1608C</b> 	<b>SSC-1660C</b> 	<b>SSC-1692C</b> 	<b>SSC-1708C</b> 
<b>SSC-1758C</b> 	<b>SSC-1850C</b> 	<b>SSC-1851C</b> 	<b>SSC-2512C</b> 
<b>SSC-2707C</b> 	<b>SSC-2710C</b> 	<b>SSC-JCMC</b> 	<b>SSC-KBZC</b> 

# INSULATOR

<p><b>SSC-NK4.5</b></p>  <p>INSULATOR FOR ISUZU KBZ</p>	<p><b>SSC-ND2.0-M4</b></p>  <p>INSULATOR FOR ISUZU KBZ</p>	<p><b>SSC-ND4.5-M4</b></p>  <p>INSULATOR FOR ISUZU JCM</p>	
<p><b>SSC-R-ND4.5</b></p>  <p>RUBBER SEAL FOR SOLENOID ยางฝาปิดขอดี JCM ทด (รูปร่างบ้าน)</p>	<p><b>SSC-R-ND2.0</b></p>  <p>RUBBER SEAL FOR SOLENOID ยางฝาปิดขอดี KBZ ทด</p>		