

TOYOTA COROLLA EE-90 AT

12361-16040

12362-11100

12372-15110

12371-64120



| ITEMCODE | CODE | DESCRIPTION | CAR MODEL | YEAR | OEM |
|-------------|------|---------------------------|-----------|------|-------------|
| 12361-16040 | | Insulator Engine (FR,M/T) | EE90,AE92 | | 12361-16040 |
| 12362-11100 | | Insulator Engine (RH) | EE90 | | 12362-11100 |
| 12372-15110 | | Insulator Engine (LH,M/T) | AE92 | | 12372-15110 |
| 12371-64120 | | Insulator Engine (RE) | EE90 | | 12371-64120 |

12371-64120

12362-15130

12372-15120

12371-64120



| ITEMCODE | CODE | DESCRIPTION | CAR MODEL | YEAR | OEM |
|-------------|------|------------------------------|-----------|------|-------------|
| 12371-64120 | | Front Engine Bushing (FR,RE) | EE90 | | 12371-64120 |
| 12362-15130 | | Front Engine Bushing (RH) | EE90 | | 12362-15130 |
| 12372-15120 | | Front Engine Bushing (LH) | EE90 | | 12372-15120 |
| 12371-64120 | | Front Engine Bushing (FR,RE) | EE90 | | 12371-64120 |

12362-11070

12363-11010

48609-12190

48655-12010/12060



| ITEMCODE | CODE | DESCRIPTION | CAR MODEL | YEAR | OEM |
|-------------------|------|------------------------------|---------------------|------|-------------------|
| 12362-11070 | | Insulator Engine | EE90-92 | | 12362-11070 |
| 12363-11010 | | Rear Engine Mounting | COROLLA FWD 1.3 2EL | | 12363-11010 |
| 48609-12190 | | Shock Absorber Mounting (FR) | EE90 (12V) | | 48609-12190 |
| 48655-12010/12060 | | Lower Arm Bushing (Big) | EE90, AE92 | | 48655-12010/12060 |

48654-12050

48725-12290

48725-12110

48725-16080



| ITEMCODE | CODE | DESCRIPTION | CAR MODEL | YEAR | OEM |
|-------------|------|---------------------------|-----------|------|-------------|
| 48654-12050 | | Lower Arm Bushing (SMALL) | EE90-AE92 | | 48654-12050 |
| 48725-12290 | | Suspension Bush | EE90-AE92 | | 48725-12290 |
| 48725-12110 | | Suspension Bush | EE90-AE92 | | 48725-12110 |
| 48725-16080 | | Suspension Bush | EE90-AE92 | | 48725-16080 |



| | | | | | |
|-------------|--|-----------------|-----------|--|-------------|
| 48725-12300 | | Suspension Bush | EE90 | | 48725-12300 |
| 48725-12040 | | Suspension Bush | EE90-AE90 | | 48725-12040 |
| 48725-12050 | | Suspension Bush | EE90-AE92 | | 48725-12050 |
| 48725-12150 | | Suspension Bush | EE90 | | 48725-12150 |

TOYOTA COROLLA EE-90 AT

45535-12011

45536-12030

45535-12040

48818-12050



| ITEMCODE | CODE | DESCRIPTION | CAR MODEL | YEAR | OEM |
|-------------|------|---|-------------------|------|-------------|
| 45535-12011 | | Steering Gear Boot (RH, Small Diameter) | KE70, AE80 | | 45535-12011 |
| 45536-12030 | | Steering Gear Boot (LH/RH) | AE80, EE90, AT171 | | 45536-12030 |
| 45535-12040 | | Steering Gear Boot | EE90 (POWER) | | 45535-12040 |
| 48818-12050 | | Stabilizer Shaft Rubber (FR) | EE90, AE92 | | 48818-12050 |

48815-12160

48819-20030

48820-20010



| ITEMCODE | CODE | DESCRIPTION | CAR MODEL | YEAR | OEM |
|-------------|------|------------------------------|-------------|------|-------------|
| 48815-12160 | | Stabilizer Shaft Rubber (FR) | EE90, AE92 | | 48815-12160 |
| 48819-20030 | | Stabilizer Link | AE80, AE92 | | 48819-20030 |
| 48820-20010 | | Link Assy (FR) | AT180, AE92 | | 48820-20010 |

TOYOTA COROLLA EE-90 MT

12361-16040

12362-11100

12372-15110

12371-11210



| ITEMCODE | CODE | DESCRIPTION | CAR MODEL | YEAR | OEM |
|-------------|------|----------------------------|------------|------|-------------|
| 12361-16040 | | Insulator Engine (FR, M/T) | EE90, AE92 | | 12361-16040 |
| 12362-11100 | | Insulator Engine (RH) | EE90 | | 12362-11100 |
| 12372-15110 | | Insulator Engine (LH, M/T) | AE92 | | 12372-15110 |
| 12371-11210 | | Insulator Engine (RE) | EE90 | | 12371-11210 |

12371-64120

12362-15130

12372-15120

12371-64120



| | | | | | |
|-------------|--|-------------------------------|------|--|-------------|
| 12371-64120 | | Front Engine Bushing (FR, RE) | EE90 | | 12371-64120 |
| 12362-15130 | | Front Engine Bushing (RH) | EE90 | | 12362-15130 |
| 12372-15120 | | Front Engine Bushing (LH) | EE90 | | 12372-15120 |
| 12371-64120 | | Front Engine Bushing (FR, RE) | EE90 | | 12371-64120 |



| | | | | | |
|-------------------|--|------------------------------|-----------------------------------|--|-------------------|
| 12362-11070 | | Insulator Engine | EE90-92 | | 12362-11070 |
| 12363-11010 | | Rear Engine Mounting | COROLLA FWD 1.3 2EL EE90 (12V) | | 12363-11010 |
| 48609-12190 | | Shock Absorber Mounting (FR) | EE90, AE92 | | 48609-12190 |
| 48655-12010/12060 | | Lower Arm Bushing (Big) | EE90, AE92 | | 48655-12010/12060 |

TOYOTA COROLLA EE-90 MT

48654-12050



48725-12290



48725-12110



48725-16080



| ITEMCODE | CODE | DESCRIPTION | CAR MODEL | YEAR | OEM |
|-------------|------|---------------------------|-----------|------|-------------|
| 48654-12050 | | Lower Arm Bushing (SMALL) | EE90-AE92 | | 48654-12050 |
| 48725-12290 | | Suspension Bush | EE90-AE92 | | 48725-12290 |
| 48725-12110 | | Suspension Bush | EE90-AE92 | | 48725-12110 |
| 48725-16080 | | Suspension Bush | EE90-AE92 | | 48725-16080 |

48725-12300



48725-12040



48725-12050



48725-12150



| ITEMCODE | CODE | DESCRIPTION | CAR MODEL | YEAR | OEM |
|-------------|------|-----------------|-----------|------|-------------|
| 48725-12300 | | Suspension Bush | EE90 | | 48725-12300 |
| 48725-12040 | | Suspension Bush | EE90-AE90 | | 48725-12040 |
| 48725-12050 | | Suspension Bush | EE90-AE92 | | 48725-12050 |
| 48725-12150 | | Suspension Bush | EE90 | | 48725-12150 |

45535-12011



45536-12030



45535-12040



48818-12050



| ITEMCODE | CODE | DESCRIPTION | CAR MODEL | YEAR | OEM |
|-------------|------|---|-------------------|------|-------------|
| 45535-12011 | | Steering Gear Boot (RH, Small Diameter) | KE70, AE80 | | 45535-12011 |
| 45536-12030 | | Steering Gear Boot (LH/RH) | EE90, AT171 | | 45536-12030 |
| 45535-12040 | | Steering Gear Boot (POWER) | AE80, EE90, AT171 | | 45535-12040 |
| 48818-12050 | | Stabilizer Shaft Rubber (FR) | EE90(AE92) | | 48818-12050 |

48815-12160



48819-20030



48820-20010



| ITEMCODE | CODE | DESCRIPTION | CAR MODEL | YEAR | OEM |
|-------------|------|------------------------------|-------------|------|-------------|
| 48815-12160 | | Stabilizer Shaft Rubber (FR) | EE90, AE92 | | 48815-12160 |
| 48819-20030 | | Stabilizer Link | AE80, AE92 | | 48819-20030 |
| 48820-20010 | | Link Assy (FR) | AT180, AE92 | | 48820-20010 |



| | | | | | |
|-------------|--|----------------------------|------------|--|-------------|
| 12361-16090 | | Insulator Engine (FR<M/T) | EE90, AE92 | | 12361-16090 |
| 12362-15160 | | Insulator Engine (RH) | AE92 | | 12362-15160 |
| 12372-15110 | | Insulator Engine (LH, M/T) | AE92 | | 12372-15110 |
| 12371-64141 | | Insulator Engine (RE, A/T) | AE92 | | 12371-64141 |

TOYOTA COROLLA EE-92 AT

12371-64141/16090/64130

12362-15160

12372-15120

12371-15230



| ITEMCODE | CODE | DESCRIPTION | CAR MODEL | YEAR | OEM |
|-------------------------|------|------------------------------|-----------|------|-------------------------|
| 12371-64141/16090/64130 | | Front Engine Bushing (RE,AT) | AE92 | | 12371-64141/16090/64130 |
| 12362-15160 | | Front Engine Bushing (RH) | AE92 | | 12362-15160 |
| 12372-15120 | | Front Engine Bushing (LH) | EE90 | | 12372-15120 |
| 12371-15230 | | Insulator Engine (RE) | AE92 ATM | | 12371-15230 |

12361-15101

12362-15130

12363-15020

48609-12190



| ITEMCODE | CODE | DESCRIPTION | CAR MODEL | YEAR | OEM |
|-------------|------|-------------------------------|-------------|------|-------------|
| 12361-15101 | | Insulator Engine | AE92,CE92 | | 12361-15101 |
| 12362-15130 | | SPRINTER GLS Insulator Engine | AE92 1.3/RH | | 12362-15130 |
| 12363-15020 | | Rear Engine Mounting | AE92 (16V) | | 12363-15020 |
| 48609-12190 | | Shock Absorber Mounting (FR) | EE90, AE92 | | 48609-12190 |

48655-12010/12060

48654-12050

48725-20380

48725-12290



| ITEMCODE | CODE | DESCRIPTION | CAR MODEL | YEAR | OEM |
|-------------------|------|---------------------------|------------------|------|-------------------|
| 48655-12010/12060 | | Lower Arm Bushing (Big) | EE90, AE92 | | 48655-12010/12060 |
| 48654-12050 | | Lower Arm Bushing (SMALL) | EE90-AE92 | | 48654-12050 |
| 48725-20380 | | Suspension Bush | AE92,AE101,ST171 | | 48725-20380 |
| 48725-12290 | | Suspension Bush | EE90-AE92 | | 48725-12290 |

48725-16080

48725-12300

43474-20050

48725-12050



| ITEMCODE | CODE | DESCRIPTION | CAR MODEL | YEAR | OEM |
|-------------|------|-----------------|-----------------|------|-------------|
| 48725-16080 | | Suspension Bush | EE90,AE92 | | 48725-16080 |
| 48725-12300 | | Suspension Bush | AE92 | | 48725-12300 |
| 43474-20050 | | Suspension Bush | AE80/AE92/AE101 | | 43474-20050 |
| 48725-12050 | | Suspension Bush | EE90,AE92 | | 48725-12050 |



| | | | | | |
|-------------|--|------------------------------|------------------|--|-------------|
| 43448-12040 | | Drive Shaft Boot (INNER) | AE92,AE101,ST171 | | 43448-12040 |
| 43447-17041 | | Drive Shaft Boot (OUTER) | AE92,AE101,ST171 | | 43447-17041 |
| 45535-12050 | | Steering Gear Boot (LH/RH) | AE92 (POWER) | | 45535-12050 |
| 48818-12050 | | Stabilizer Shaft Rubber (RE) | EE90, AE92 | | 48818-12050 |

TOYOTA COROLLA EE-92 AT

48815-12160

90385-11021

48819-20030

17572-15050



| ITEMCODE | CODE | DESCRIPTION | CAR MODEL | YEAR | OEM |
|-------------|------|------------------------------|-----------------|------|-------------|
| 48815-12160 | | Stabilizer shaft Rubber (FR) | EE90, AE92 | | 48815-12160 |
| 90385-11021 | | Stabilizer Shaft Grommet | AE80,AE92,LN106 | | 90385-11021 |
| 48819-20030 | | Stabilizer Link | AE80,AE92 | | 48819-20030 |
| 17572-15050 | | Exhaust Pipe Support | AE92 | | 17572-15050 |

TOYOTA COROLLA EE-92 MT

12361-16090

12362-15160

12372-15110

12371-15200



| ITEMCODE | CODE | DESCRIPTION | CAR MODEL | YEAR | OEM |
|-------------|------|---------------------------|-----------|------|-------------|
| 12361-16090 | | Insulator Engine (FR<M/T) | EE90,AE92 | | 12361-16090 |
| 12362-15160 | | Insulator Engine (RH) | AE92 | | 12362-15160 |
| 12372-15110 | | Insulator Engine (LH,M/T) | AE92 | | 12372-15110 |
| 12371-15200 | | Insulator Engine (RE,M/T) | AE92 | | 12371-15200 |

12371-64141/16090/64130

12362-15160

12372-15120

12371-15200



| ITEMCODE | CODE | DESCRIPTION | CAR MODEL | YEAR | OEM |
|-------------------------|------|-------------------------------|-----------|------|-------------------------|
| 12371-64141/16090/64130 | | Front Engine Bushing (RE,A/T) | AE92 | | 12371-64141/16090/64130 |
| 12362-15160 | | Front Engine Bushing (RH) | AE92 | | 12362-15160 |
| 12372-15120 | | Front Engine Bushing (LH) | EE90 | | 12372-15120 |
| 12371-15200 | | Front Engine Bushing (RE,M/T) | AE92 | | 12371-15200 |

12371-15230

12361-15101

12362-15130

12363-15020











| | | | | | |
|-------------|--|-------------------------------|---------------------------------|--|-------------|
| 12371-15230 | | Insulator Engine (RE) | AE92 ATM | | 12371-15230 |
| 12361-15101 | | Insulator Engine | AE92,CE92 | | 12361-15101 |
| 12362-15130 | | SPRINTER GLS Insulator Engine | AE92 1.3/RH | | 12362-15130 |
| 12363-15020 | | Rear Engine Mounting | CONQUEST 1600 GLx AE92 (16V) | | 12363-15020 |









| | | | | | |
|-------------------|--|------------------------------|------------------|--|-------------------|
| 48609-12190 | | Shock Absorber Mounting (FR) | EE90, AE92 | | 48609-12190 |
| 48655-12010/12060 | | Lower Arm Bushing (Big) | EE90, AE92 | | 48655-12010/12060 |
| 48654-12050 | | Lower Arm Bushing (SMALL) | EE90-AE92 | | 48654-12050 |
| 48725-20380 | | Suspension Bush | AE92,AE101,ST171 | | 48725-20380 |




TOYOTA COROLLA EE-92 MT

| 48725-12290 | 48725-16080 | 48725-12300 | 43474-20050 | |
|---|---|--|---|-------------|
|  |  |  |  | |
| ITEMCODE | CODE | DESCRIPTION | CAR MODEL YEAR | OEM |
| 48725-12290 | | Suspension Bush | EE90-AE92 | 48725-12290 |
| 48725-16080 | | Suspension Bush | EE90,AE92 | 48725-16080 |
| 48725-12300 | | Suspension Bush | AE92 | 48725-12300 |
| 43474-20050 | | Suspension Bush | AE80/AE92/AE101 | 43474-20050 |

| 48725-12050 | 48716-12040 | 43448-12040 | 43447-17041 | |
|---|---|--|---|-------------|
|  |  |  |  | |
| ITEMCODE | CODE | DESCRIPTION | CAR MODEL YEAR | OEM |
| 48725-12050 | | Suspension Bush | EE90,AE92 | 48725-12050 |
| 48716-12040 | | Suspension Bush | AE92 | 48716-12040 |
| 43448-12040 | | Drive Shaft Boot (INNER) | AE92,AE101,ST171 | 43448-12040 |
| 43447-17041 | | Drive Shaft Boot (OUTER) | AE92,AE101,ST171 | 43447-17041 |

| 45535-12050 | 48818-12050 | 48815-12160 | 90385-11021 | |
|--|--|---|--|-------------|
|  |  |  |  | |
| ITEMCODE | CODE | DESCRIPTION | CAR MODEL YEAR | OEM |
| 45535-12050 | | Steering Gear Boot (LH/RH) | AE92 (POWER) | 45535-12050 |
| 48818-12050 | | Stabilizer Shaft Rubber (RE) | EE90, AE92 | 48818-12050 |
| 48815-12160 | | Stabilizer shaft Rubber (FR) | EE90, AE92 | 48815-12160 |
| 90385-11021 | | Stabilizer Shaft Grommet | AE80,AE92,LN106 | 90385-11021 |

| 48819-20030 | 17572-15050 | | |
|---|---|----------------|-------------|
|  |  | | |
| ITEMCODE | DESCRIPTION | CAR MODEL YEAR | OEM |
| 48819-20030 | Stabilizer Link | AE80,AE92 | 48819-20030 |
| 17572-15050 | Exhaust Pipe Support | AE92 | 17572-15050 |

|  |  |  |  |
|---|---|--|---|
| ITEMCODE | DESCRIPTION | CAR MODEL YEAR | OEM |
| 12361-11160 | Insulator Engine (FR) | EE100,AE101 | 12361-11160 |
| 12305-11010 | Insulator Engine (RH) | AE92 | 12305-11010 |
| 12372-15110 | Insulator Engine (LH,M/T) | AE92 | 12372-15110 |
| 12371-15240 | Insulator Engine (RE) | EE100 | 12371-15240 |

TOYOTA COROLLA EE-100

12361-11160/64210

12305-11010/15020

12372-15120

12371-11430



| ITEMCODE | CODE | DESCRIPTION | CAR MODEL | YEAR | OEM |
|-------------------|------|---------------------------|-------------|------|-------------------|
| 12361-11160/64210 | | Front Engine Bushing (FR) | EE100,AE101 | | 12361-11160/64210 |
| 12305-11010/15020 | | Front Engine Bushing (RH) | EE100,AE101 | | 12305-11010/15020 |
| 12372-15120 | | Front Engine Bushing (LH) | EE90 | | 12372-15120 |
| 12371-11430 | | Front Engine Bushing (RE) | EE100 | | 12371-11430 |

12371-11462

48609-12270

48076-12010

48075-12010



| ITEMCODE | CODE | DESCRIPTION | CAR MODEL | YEAR | OEM |
|-------------|------|------------------------------|--------------|------|-------------|
| 12371-11462 | | Insulator Engine (RE) | AE92 ATM | | 12371-11462 |
| 48609-12270 | | Shock Absorber Mounting (FR) | EE100,AE101 | | 48609-12270 |
| 48076-12010 | | Lower Arm Buahing (BIG,LH) | EE100, AE101 | | 48076-12010 |
| 48075-12010 | | Lower Arm Buahing (BIG,RH) | EE100, AE101 | | 48075-12010 |

48655-12050

48654-12070

48725-1220

48725-12240



| ITEMCODE | CODE | DESCRIPTION | CAR MODEL | YEAR | OEM |
|-------------|------|---------------------------|--------------|------|-------------|
| 48655-12050 | | Lower Arm Bushing (Big) | EE100, AE101 | | 48655-12050 |
| 48654-12070 | | Lower Arm Bushing (SMALL) | EE100, AE101 | | 48654-12070 |
| 48725-12200 | | Suspension Bush | EE100, AE101 | | 48725-12200 |
| 48725-12240 | | Suspension Bush | EE100, AE101 | | 48725-12240 |

45535-12060

48818-20070

48815-12230

48830-20010



| | | | | | |
|-------------|--|------------------------------|------------------|--|-------------|
| 45535-12060 | | Steering Gear Boot | EE100 | | 45535-12060 |
| 48818-20070 | | Stabilizer Shaft Rubber (RE) | EE100, AE101 | | 48818-20070 |
| 48815-12230 | | Stabilizer Shaft Rubber (FR) | EE100, AE101 | | 48815-12230 |
| 48830-20010 | | Link Assy (RE) | AE101, AT171-190 | | 48830-20010 |



| | | | | | |
|-------------|--|----------------|------------|--|-------------|
| 48820-20010 | | Link Assy (FR) | AT180,AE92 | | 48820-20010 |
|-------------|--|----------------|------------|--|-------------|

TOYOTA COROLLA AE-111 AT

12361-11160



12305-15040



12372-15181



12371-64210



| ITEMCODE | CODE | DESCRIPTION | CAR MODEL | YEAR | OEM |
|-------------|------|---------------------------|-------------|------|-------------|
| 12361-11160 | | Insulator Engine (FR) | EE100-AE101 | | 12361-11160 |
| 12305-15040 | | Insulator Engine (RH,A/M) | AE111 | | 12305-15040 |
| 12372-15181 | | Insulator Engine (LH,A/T) | AE111 | | 12372-15181 |
| 12371-64210 | | Insulator Engine (RH,A/T) | AE111 | | 12371-64210 |

12305-15040



12372-15180/15181



12371-64210



12372-15200



| ITEMCODE | CODE | DESCRIPTION | CAR MODEL | YEAR | OEM |
|-------------------|------|-------------------------------|-----------------|------|-------------------|
| 12305-15040 | | Front Engine Bushing (RH,A/M) | AE101,AE111 | | 12305-15040 |
| 12372-15180/15181 | | Front Engine Bushing (LH,A/T) | AE110,AE111 | | 12372-15180/15181 |
| 12371-64210 | | Front Engine Bushing (RE,A/T) | AE111 | | 12371-64210 |
| 12372-15200 | | Insulator Engine (LH,A/T) | AE111,HI-TORQUE | | 12372-15200 |

48609-12330



48655-12120



48654-12090



48725-12370



| ITEMCODE | CODE | DESCRIPTION | CAR MODEL | YEAR | OEM |
|-------------|------|------------------------------|---------------------|------|-------------|
| 48609-12330 | | Shock Absorber Mounting (FR) | AE110, AE111 | | 48609-12330 |
| 48655-12120 | | Lower Arm Bushing (BIG) | AE110, AE111, AE102 | | 48655-12120 |
| 48654-12090 | | Lower Arm Bushing (SMALL) | AE110, AE111, AE102 | | 48654-12090 |
| 48725-12370 | | Suspension Bush (SMALL) | AE111 | | 48725-12370 |

17506-15070



| | | | |
|-------------|----------------------|--------------|-------------|
| 17506-15070 | Exhaust Pipe Support | EE101, AE111 | 17506-15070 |
|-------------|----------------------|--------------|-------------|



| | | | |
|-------------|-------------------------------|-------------|-------------|
| 12305-15040 | Insulator Engine (RH,A/M) | AE111 | 12305-15040 |
| 12372-15181 | Insulator Engine (LH,M/T) | AE111 | 12372-15181 |
| 12371-15241 | Insulator Engine (RE,M/T) | AE111 | 12371-15241 |
| 12305-15040 | Front Engine Bushing (RH,A/M) | AE101,AE111 | 12305-15040 |

TOYOTA COROLLA AE-111 MT

12372-15171/11280/11250

12371-15240/15241

48609-12330

48655-12120



| ITEMCODE | CODE | DESCRIPTION | CAR MODEL | YEAR | OEM |
|-------------------------|------|-------------------------------|-------------------|------|-------------------------|
| 12372-15171/11280/11250 | | Front Engine Bushing (LH,M/T) | AE111 | | 12372-15171/11280/11250 |
| 12371-15240/15241 | | Front Engine Bushing (RE) | AE101,AE111 | | 12371-15240/15241 |
| 48609-12330 | | Shock Absorber Mounting (FR) | AE110, AE111 | | 48609-12330 |
| 48655-12120 | | Lower Arm Bushing (BIG) | AE110,AE111,AE102 | | 48655-12120 |

48654-12090

48725-12370

17506-15070



| ITEMCODE | CODE | DESCRIPTION | CAR MODEL | YEAR | OEM |
|-------------|------|---------------------------|---------------------|------|-------------|
| 48654-12090 | | Lower Arm Bushing (SMALL) | AE110, AE111, AE102 | | 48654-12090 |
| 48725-12370 | | Suspension Bush (SMALL) | AE111 | | 48725-12370 |
| 17506-15070 | | Exhaust Pipe Support | EE101, AE111 | | 17506-15070 |

TOYOTA CORONA AT-171 AT

12361-0D040

12362-22090

12372-0D050

12371-0D060



| ITEMCODE | CODE | DESCRIPTION | CAR MODEL | YEAR | OEM |
|-------------|------|---------------------------|--------------|------|-------------|
| 12361-0D040 | | Insulator Engine (FR) | ALTIS | | 12361-0D040 |
| 12362-22090 | | Insulator Engine (RH) | ALTIS | | 12362-22090 |
| 12372-0D050 | | Insulator Engine (LH,A/T) | ALTIS | | 12372-0D050 |
| 12371-0D060 | | Insulator Engine (RE) | ALTIS ZZE121 | | 12371-0D060 |

12361-0D030

12372-0D050

12371-0D060

48755-02020










| | | | | | |
|-------------|--|---|--------------|--|-------------|
| 12361-0D030 | | Front Engine Bushing (RH) | ALTIS | | 12361-0D030 |
| 12372-0D050 | | Front Engine Bushing (LH) | ALTIS ZZE121 | | 12372-0D050 |
| 12371-0D060 | | Front Engine Bushing (RE) | ALTIS ZZE121 | | 12371-0D060 |
| 48755-02020 | | Shock Absorber Mounting (RE,SALTIS ZZE121, 122) | | | 48755-02020 |







| | | | | | |
|-------------------|--|---|-------------------|--|-------------------|
| 48750-02020 | | Shock Absorber Mounting (RE,BALTIS ZZE121, 122) | | | 48750-02020 |
| 48609-12420 | | Shock Absorber Mounting (FR) | ALTIS ZZE121, 122 | | 48609-12420 |
| 48725-02240/12560 | | Suspension Bush | ALTIS ZZE121-122 | | 48725-02240/12560 |
| 48655-12170 | | Lower Arm Bushing (BIG) | ALTIS ZZE121, 122 | | 48655-12170 |

TOYOTA CORONA AT-171 AT





| 48654-12120 | 48725-02240/12560 | 43448-12120 | 43447-28020 | |
|---|---|--|---|-------------------|
|  |  |  |  | |
| ITEMCODE | CODE | DESCRIPTION | CAR MODEL YEAR | OEM |
| 48654-12120 | | Lower Arm Bushing (SMALL) | ALTIS ZZE121, 122 | 48654-12120 |
| 48725-02240/12560 | | Suspension Bush | ALTIS ZZE121-122 | 48725-02240/12560 |
| 43447-28020 | | Drive Shaft Boot (OUTER) | ALTIS ZZE121, 122 | 43447-28020 |
| 45535-52050 | | Steering Gear Boot | ALTIS ZZE121,121 | 45535-52050 |

| 48815-02060 | 48815-13040 | 48820-47010 | | |
|---|---|--|--------------------|-------------|
|  |  |  | | |
| ITEMCODE | CODE | DESCRIPTION | CAR MODEL YEAR | OEM |
| 48815-02060 | | Stabilizer Shaft Rubber (FR) | ALTIS ZZE121,122 | 48815-02060 |
| 48815-13040 | | Stabilizer Shaft Rubber | ALTIS ZZE122 (1.8) | 48815-13040 |
| 48820-47010 | | Link Assy (FR) | ALTIS ZZE121,122 | 48820-47010 |

TOYOTA CORONA ST-171 2000cc MT

| 12361-74070 | 12362-74080 | 12372-74120 | 12371-15170 | |
|--|--|---|--|-------------|
|  |  |  |  | |
| ITEMCODE | CODE | DESCRIPTION | CAR MODEL YEAR | OEM |
| 12361-74070 | | Insulator Engine (FR,M/T) | ST171 | 12361-74070 |
| 12362-74080 | | Insulator Engine (RH) | ST171 | 12362-74080 |
| 12372-74120 | | Insulator Engine (LH,M/T) | ST171 | 12372-74120 |
| 12371-15170 | | Insulator Engine (RE,M/T) | AT171,ST171 | 12371-15170 |

|  |  |  |  | |
|---|---|--|---|-------------------|
| ITEMCODE | CODE | DESCRIPTION | CAR MODEL YEAR | OEM |
| 12361-74100 | | Front Engine Bushing (FR,M/T) | ST171 | 12361-74100 |
| 12362-74080 | | Front Engine Bushing (RH) | ST171 | 12362-74080 |
| 12372-74120 | | Front Engine Bushing (LH,A/M) | ST171 | 12372-74120 |
| 12393-74060/74080 | | Rear Engine Mounting | ST171 | 12393-74060/74080 |

|  |  |  |  | |
|---|---|--|---|-------------|
| ITEMCODE | CODE | DESCRIPTION | CAR MODEL YEAR | OEM |
| 48609-20220 | | Shock Absorber Mounting (FR) | ST171 | 48609-20220 |
| 48750-20050 | | Shock Absorber Mounting (RE) | ST171 | 48750-20050 |
| 48655-20060 | | Lower Arm Bushing (BIG) | AT171, ST171 | 48655-20060 |
| 48068-20200 | | Lower Arm Bushing (SMALL) | AT171, ST171 | 48068-20200 |

TOYOTA CORONA ST-171 2000cc MT

48076-20010

48075-20010

48725-20070

48725-32110



| ITEMCODE | CODE | DESCRIPTION | CAR MODEL | YEAR | OEM |
|-------------|------|-----------------------------|--------------|------|-------------|
| 48076-20010 | | Lower Arm Bushing (BIG, LH) | ST171 | | 48076-20010 |
| 48075-20010 | | Lower Arm Bushing (BIG, RH) | ST171 | | 48075-20010 |
| 48725-20070 | | Suspension Bush | AT171, ST171 | | 48725-20070 |
| 48725-32110 | | Suspension Bush | AT171, ST171 | | 48725-32110 |

48725-20050

48725-20340

48725-20380

43448-12040



| ITEMCODE | CODE | DESCRIPTION | CAR MODEL | YEAR | OEM |
|-------------|------|--------------------------|--------------------|------|-------------|
| 48725-20050 | | Suspension Bush | AT171, ST171 | | 48725-20050 |
| 48725-20340 | | Suspension Bush | AT171, ST171 | | 48725-20340 |
| 48725-20380 | | Suspension Bush | AE92, AE101, ST171 | | 48725-20380 |
| 43448-12040 | | Drive Shaft Boot (INNER) | AE92, AE101, ST171 | | 43448-12040 |

43447-17041

12362-11070

48815-30060/16010

48810-20010



| ITEMCODE | CODE | DESCRIPTION | CAR MODEL | YEAR | OEM |
|-------------------|------|------------------------------|--------------------|------|-------------------|
| 43447-17041 | | Drive Shaft Boot (OUTER) | AE92, AE101, ST171 | | 43447-17041 |
| 12362-11070 | | Stabilizer Shaft Rubber (RE) | AT171, ST171 | | 12362-11070 |
| 48815-30060/16010 | | Stabilizer Shaft Rubber (FR) | AT171, ST171, KF40 | | 48815-30060/16010 |
| 48810-20010 | | Link Assy (FR, LH) | AT171, ST171 | | 48810-20010 |











| | | | | | |
|-------------|--|-----------------------|--------------|--|-------------|
| 48820-20030 | | Link Assy (FR, RH) | AT171, ST171 | | 48820-20030 |
| 17573-74020 | | Exhaust Pipe Support | AT, ST171 | | 17573-74020 |
| 90389-14035 | | Spring Shackle Rubber | ST171 VAN | | 90389-14035 |











| | | | | | |
|-------------|--|----------------------------|-------|--|-------------|
| 12361-16210 | | Insulator Engine (FR, M/T) | AT190 | | 12361-16210 |
| 12305-16120 | | Insulator Engine (RH) | AT190 | | 12305-16120 |
| 12372-16270 | | Insulator Engine (LH, M/T) | AT190 | | 12372-16270 |
| 12371-16270 | | Insulator Engine (RE, M/T) | AT190 | | 12371-16270 |





TOYOTA CORONA AT-190 1600cc

| 12361-16210 | 12362-16190 | 12362-15120 | 12371-16270/16290 | |
|---|---|--|---|-------------------|
|  |  |  |  | |
| ITEMCODE | CODE | DESCRIPTION | CAR MODEL YEAR | OEM |
| 12361-16240 | | Front Engine Bushing (FR,A/M) | AT190 | 12361-16240 |
| 12362-16190 | | Front Engine Bushing (RH) | AT190 EXSIOR | 12362-16190 |
| 12362-15120 | | Front Engine Bushing (LH) | AE101,AT190 | 12362-15120 |
| 12371-16270/16290 | | Front Engine Bushing (RE,A/M) | AT190 | 12371-16270/16290 |

| 12361-16310 | 12361-16310 | 12371-16290 | 48609-20281 | |
|---|---|--|---|-------------|
|  |  |  |  | |
| ITEMCODE | CODE | DESCRIPTION | CAR MODEL YEAR | OEM |
| 12361-16310 | | Front Engine Bushing (FR,M/T) | AT190 EXSIOR | 12361-16310 |
| 12361-16310 | | Insulator Engine (FR,M/T) | AT190 EXSIOR | 12361-16310 |
| 12371-16290 | | Insulator Engine (RE,A/T) | AT190 | 12371-16290 |
| 48609-20281 | | Shock Absorber Mounting (FR) | AT190, ST190 | 48609-20281 |

| 48655-20140 | 48654-20150/20160 | 45535-33010 | 17571-74333 | |
|--|--|---|--|-------------------|
|  |  |  |  | |
| ITEMCODE | CODE | DESCRIPTION | CAR MODEL YEAR | OEM |
| 48655-20140 | | Lower Arm Bushing (BIG) | AT190, ST190 | 48655-20140 |
| 48654-20150/20160 | | Lower Arm Bushing (SMALL) | AT190, ST190 | 48654-20150/20160 |
| 45535-33010 | | Steering Gear Boot (LH/RH) | AT190 | 45535-33010 |
| 17571-74333 | | Exhaust Pipe Support | AT, ST190 | 17571-74333 |

|  |  |  |  | |
|---|---|--|---|-------------|
| ITEMCODE | CODE | DESCRIPTION | CAR MODEL YEAR | OEM |
| 12361-74300 | | Insulator Engine (FR,A/T) | ST190 | 12361-74300 |
| 12372-74351 | | Insulator Engine (LH,M/T) | ST190 | 12372-74351 |
| 12371-74330 | | Insulator Engine (RE,A/T) | ST190 | 12371-74330 |
| 12371-64120 | | Front Engine Bushing (FR,A/T) | ST190 | 12371-64120 |

|  |  |  |  | |
|---|---|--|---|-------------|
| ITEMCODE | CODE | DESCRIPTION | CAR MODEL YEAR | OEM |
| 12361-74260 | | Insulator Engine (FR,M/T) | ST190 | 12361-74260 |
| 12371-74320 | | Insulator Engine (RE,M/T) | ST190 | 12371-74320 |
| 48609-20281 | | Shock Absorber Mounting (FR) | AT190, ST190 | 48609-20281 |
| 48655-20140 | | Lower Arm Bushing (BIG) | AT190, ST190 | 48655-20140 |

TOYOTA CORONA ST-190 2000cc

48654-20150/20160

17571-74333

90389-19002

12371-74330/74500/74320



| ITEMCODE | CODE | DESCRIPTION | CAR MODEL | YEAR | OEM |
|-------------------------|------|-------------------------------|--------------|------|-------------------------|
| 48654-20150/20160 | | Lower Arm Bushing (SMALL) | AT190, ST190 | | 48654-20150/20160 |
| 17571-74333 | | Exhaust Pipe Support | AT, ST190 | | 17571-74333 |
| 90389-19002 | | Lower Arm Bushing | | | 90389-19002 |
| 12371-74330/74500/74320 | | Front Engine Bushing (RE,A/T) | ST190 EXSIOR | | 12371-74330/74500/74320 |

12371-74330/74500/74320

12371-74510

48609-20281

48655-20140



| ITEMCODE | CODE | DESCRIPTION | CAR MODEL | YEAR | OEM |
|-------------------------|------|-------------------------------|--------------|------|-------------------------|
| 12371-74330/74500/74320 | | Front Engine Bushing (RE,A/T) | ST190 EXSIOR | | 12371-74330/74500/74320 |
| 12371-74510 | | Insulator Engine (RE,M/T) | ST190 EXSIOR | | 12371-74510 |
| 48609-20281 | | Shock Absorber Mounting (FR) | AT190, ST190 | | 48609-20281 |
| 48655-20140 | | Lower Arm Bushing (BIG) | AT190, ST190 | | 48655-20140 |

48654-20150/20160

17571-74333

90389-19002



| ITEMCODE | CODE | DESCRIPTION | CAR MODEL | YEAR | OEM |
|-------------------|------|---------------------------|-----------------|------|-------------------|
| 48654-20150/20160 | | Lower Arm Bushing (SMALL) | AT190, ST190 | | 48654-20150/20160 |
| 17571-74333 | | Exhaust Pipe Support | AT, ST190 | | 17571-74333 |
| 90389-19002 | | Cover Bush | AT,ST190,EXSION | | 90389-19002 |



| | | | | | |
|-------------|--|-------------------------------|--------|--|-------------|
| 12362-02050 | | Insulator Engine (RH,A/M) | SOLUNA | | 12362-02050 |
| 12372-02120 | | Insulator Engine (LH,A/T) | SOLUNA | | 12372-02120 |
| 12371-02120 | | Insulator Engine (RE,A/T) | SOLUNA | | 12371-02120 |
| 12362-02050 | | Front Engine Bushing (RH,A/M) | SOLUNA | | 12362-02050 |



| | | | | | |
|-------------|--|-------------------------------|--------------------|--|-------------|
| 12372-02120 | | Front Engine Bushing (LH,A/T) | SOLUNA | | 12372-02120 |
| 12371-02120 | | Front Engine Bushing (RE,A/T) | SOLUNA | | 12371-02120 |
| 48609-16220 | | Shock Absorber Mounting (FR) | SOLUNA (AL50) | | 48609-16220 |
| 48609-16310 | | Shock Absorber Mounting (FR, | AL50, SOLUNA' 2000 | | 48609-16310 |

TOYOTA SOLUNA AT

48609-16280

48655-10030

48654-16110

48655-10050



| ITEMCODE | CODE | DESCRIPTION | CAR MODEL | YEAR | OEM |
|-------------|------|---|--------------|------|-------------|
| 48609-16280 | | Shock Absorber Mounting (FR,LAL50, SOLUNA' 2000 | SOLUNA | | 48609-16280 |
| 48655-1003 | | Lower Arm Bushing (BIG) | SOLUNA | | 48655-1003 |
| 48654-16110 | | Lower Arm Bushing (SMALL) | SOLUNA | | 48654-16110 |
| 48655-10050 | | Lower Arm Bushing (BIG) | SOLUNA' 2000 | | 48655-10050 |

48654/48655-10050

48725-0A010

04438-0A020

04437-0A020



| ITEMCODE | CODE | DESCRIPTION | CAR MODEL | YEAR | OEM |
|-------------------|------|---------------------------|--------------|------|-------------------|
| 48654/48655-10050 | | Lower Arm Bushing (SMALL) | SOLUNA' 2000 | | 48654/48655-10050 |
| 48725-0A010 | | Suspension Bush | SOLUNA | | 48725-0A010 |
| 04438-0A020 | | Drive Shaft Boot (INNER) | SOLUNA | | 04438-0A020 |
| 04437-0A020 | | Drive Shaft Boot (OUTER) | SOLUNA | | 04437-0A020 |

45535-10060

48815-0A010

48819-10010



| ITEMCODE | CODE | DESCRIPTION | CAR MODEL | YEAR | OEM |
|-------------|------|------------------------------|----------------|------|-------------|
| 45535-10060 | | Steering Gear Boot (LH/RH) | SOLUNA (POWER) | | 45535-10060 |
| 48815-0A010 | | Stabilizer Shaft Rubber (FR) | SOLUNA | | 48815-0A010 |
| 48819-10010 | | Stabilizer Link | SOLUNA | | 48819-10010 |



| | | | | | |
|-------------|--|-------------------------------|--------|--|-------------|
| 12362-02050 | | Insulator Engine (RH,A/M) | SOLUNA | | 12362-02050 |
| 12372-02110 | | Insulator Engine (LH,M/T) | SOLUNA | | 12372-02110 |
| 12371-02110 | | Insulator Engine (RE,M/T) | SOLUNA | | 12371-02110 |
| 12362-02050 | | Front Engine Bushing (RH,A/M) | SOLUNA | | 12362-02050 |



| | | | | | |
|-------------|--|---|--------|--|-------------|
| 12372-02110 | | Front Engine Bushing (LH,M/T) | SOLUNA | | 12372-02110 |
| 12371-02110 | | Front Engine Bushing (RE,M/T) | SOLUNA | | 12371-02110 |
| 48609-16220 | | Shock Absorber Mounting (FR,RAL50, SOLUNA' 2000 | SOLUNA | | 48609-16220 |
| 48609-16310 | | Shock Absorber Mounting (FR,LAL50, SOLUNA' 2000 | SOLUNA | | 48609-16310 |

TOYOTA SOLUNA MT

48609-16280



48655-10030



48654-16110



48655-10050



| ITEMCODE | CODE | DESCRIPTION | CAR MODEL | YEAR | OEM |
|-------------|------|------------------------------------|-----------|------|-------------|
| 48609-16280 | | Shock Absorber Mounting (FR,LAL50, | SOLUNA | 2000 | 48609-16280 |
| 48655-10030 | | Lower Arm Bushing (BIG) | SOLUNA | | 48655-10030 |
| 48654-16110 | | Lower Arm Bushing (SMALL) | SOLUNA | | 48654-16110 |
| 48655-10050 | | Lower Arm Bushing (BIG) | SOLUNA | 2000 | 48655-10050 |

48654/48655-10050



48725-0A010



04438-0A020



04437-0A020



| ITEMCODE | CODE | DESCRIPTION | CAR MODEL | YEAR | OEM |
|-------------------|------|---------------------------|-----------|------|-------------------|
| 48654/48655-10050 | | Lower Arm Bushing (SMALL) | SOLUNA | 2000 | 48654/48655-10050 |
| 48725-0A010 | | Suspension Bush | SOLUNA | | 48725-0A010 |
| 04438-0A020 | | Drive Shaft Boot (INNER) | SOLUNA | | 04438-0A020 |
| 04437-0A020 | | Drive Shaft Boot (OUTER) | SOLUNA | | 04437-0A020 |

45535-10060



48815-0A010



48819-10010



| ITEMCODE | CODE | DESCRIPTION | CAR MODEL | YEAR | OEM |
|-------------|------|------------------------------|----------------|------|-------------|
| 45535-10060 | | Steering Gear Boot (LH/RH) | SOLUNA (POWER) | | 45535-10060 |
| 48815-0A010 | | Stabilizer Shaft Rubber (FR) | SOLUNA | | 48815-0A010 |
| 48819-10010 | | Stabilizer Link | SOLUNA | | 48819-10010 |



| | | | | | |
|-------------------|--|-------------------------------|------|--|-------------------|
| 12305-0M030 | | Insulator Engine (LH,A/M) | VIOS | | 12305-0M030 |
| 12372-0M030/0M040 | | Front Engine Bushing (LH,A/M) | VIOS | | 12372-0M030/0M040 |
| 12371-0M030 | | Front Engine Bushing (RE,A/T) | VIOS | | 12371-0M030 |
| 12371-0M020 | | Front Engine Bushing (RE,M/T) | VIOS | | 12371-0M020 |



| | | | | | |
|-------------|--|------------------------------|---------------|--|-------------|
| 48331-0D040 | | Shock Absorber Mounting (FR) | SOLUNA (VIOS) | | 48331-0D040 |
| 48655-0D060 | | Lower Arm Bushing (BIG) | VIOS | | 48655-0D060 |
| 43448-52020 | | Drive Shaft Boot (INNER) | VIOS | | 43448-52020 |
| 43447-17011 | | Drive Shaft Boot (OUTER) | VIOS | | 43447-17011 |

TOYOTA SOLUNA VIOS

45535-02030

48815-0D040

48609-0D050

48609-0D080



| ITEMCODE | CODE | DESCRIPTION | CAR MODEL | YEAR | OEM |
|-------------|------|------------------------------|-------------|------|-------------|
| 45535-02030 | | Steering Gear Boot | SOLUNA VIOS | | 45535-02030 |
| 48815-0D040 | | Stabilizer Shaft Rubber (FR) | VIOS | | 48815-0D040 |
| 48609-0D050 | | Shock Absorber Mounting (RE) | SOLUNA VIOS | | 48609-0D050 |
| 48609-0D080 | | Shock Absorber Mounting | | | 48609-0D080 |

TOYOTA FRONT ENGINE MOUNTING

12361-49036

12361-31030/39075/39076

12361-39025

12361-54020



| ITEMCODE | CODE | DESCRIPTION | CAR MODEL | YEAR | OEM |
|-------------------------|------|-----------------------|-------------------------------|------|-------------------------|
| 12361-49036 | | Front Engine Mounting | JU | | 12361-49036 |
| 12361-31030/39075/39076 | | Front Engine Mounting | HILUX RN25 CORONA RT80, 81 | | 12361-31030/39075/39076 |
| 12361-39025 | | Front Engine Mounting | RT60 (RN20) | | 12361-39025 |
| 12361-54020 | | Front Engine Mounting | RN30 | | 12361-54020 |

12361-54140

12361-38060/38130

12361-54110

12361-54120



| ITEMCODE | CODE | DESCRIPTION | CAR MODEL | YEAR | OEM |
|-------------------|------|-----------------------|--|------|-------------------|
| 12361-54140 | | Front Engine Mounting | LN40 | | 12361-54140 |
| 12361-38060/38130 | | Front Engine Mounting | LN50-56 | | 12361-38060/38130 |
| 12361-54110 | | Front Engine Mounting | LN85 | | 12361-54110 |
| 12361-54120 | | Front Engine Mounting | HILUX LN65 HILUX LN100 HILUX R 4WD | | 12361-54120 |

12361-35040

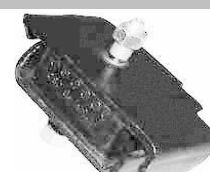
12361-35050

12361-05010

12361-0L030



| | | | | | |
|-------------|--|-----------------------|-----------------|--|-------------|
| 12361-35040 | | Front Engine Mounting | YN55 | | 12361-35040 |
| 12361-35050 | | Front Engine Mounting | TIGER, Y51, Y56 | | 12361-35050 |
| 12361-05010 | | Front Engine Mounting | TIGER, Y51, Y56 | | 12361-05010 |
| 12361-0L030 | | Front Engine Mounting | VIGO | | 12361-0L030 |



| | | | | | |
|-------------|--|-----------------------|-------------------------|--|-------------|
| 12361-60020 | | Front Engine Mounting | LAND CRUISER | | 12361-60020 |
| 12361-60022 | | Front Engine Mounting | LAND CRUISER FJ40, FJ42 | | 12361-60022 |
| 12361-61020 | | Front Engine Mounting | LAND CRUISER FJ60V | | 12361-61020 |
| 12361-61030 | | Front Engine Mounting | LAND CRUISER FJ70/FJ75 | | 12361-61030 |

TOYOTA FRONT ENGINE MOUNTING

| 12361-68020 | 12361-68051 | 12361-59035 | 12361-59055 | |
|---|---|--|---|-------------------|
|  |  |  |  | |
| ITEMCODE | CODE | DESCRIPTION | CAR MODEL YEAR | OEM |
| 12361-68020 | | Front Engine Mounting | LAND CRUISER (HJ40) | 12361-68020 |
| 12361-68051 | | Front Engine Mounting | LAND CRUISER FJ70 | 12361-68051 |
| 12361-59035 | | Front Engine Mounting | BU10 | 12361-59035 |
| 12361-59055 | | Front Engine Mounting | BU20 | 12361-59055 |
| 12361-58010 | 12361-56070 | 12362-56010 | 12361-58040 | |
| |  |  |  | |
| ITEMCODE | CODE | DESCRIPTION | CAR MODEL YEAR | OEM |
| 12361-58010 | | Front Engine Mounting | BU30 | 12361-58010 |
| 12361-56070 | | Front Engine Mounting (RH) | BU61 (13B) BU61 | 12361-56070 |
| 12362-56010 | | Front Engine Mounting (LH) | (13B) | 12362-56010 |
| 12361-58040 | | Front Engine Mounting | BU90,(BU350),BU91 | 12361-58040 |
| 12361-76020 | 12301-13090 | 12302-13091 | 12361-29016 | |
|  |  |  |  | |
| ITEMCODE | CODE | DESCRIPTION | CAR MODEL YEAR | OEM |
| 12361-76020 | | Front Engine Mounting | TRUCK DA100/ 110/115 | 12361-76020 |
| 12301-13090 | | Front Engine Mounting | LITCACE KM30 / RH | 12301-13090 |
| 12302-13091 | | Front Engine Mounting | LITCACE 5K / RH | |
| | | | LITCACE KR27 / LH | 12302-13091 |
| | | | LITCACE 5K / LH | |
| 12361-29016 | | Front Engine Mounting | PH10 | 12361-29016 |
| 12361-54030 | 12361-54143 | 12361-64022 | 12361-35070 | |
|  |  |  |  | |
| ITEMCODE | CODE | DESCRIPTION | CAR MODEL YEAR | OEM |
| 12361-54030 | | Front Engine Mounting | YH, LH60 | 12361-54030 |
| 12361-54143 | | Front Engine Mounting | YH, LH112 | 12361-54143 |
| 12361-64022 | | Front Engine Mounting | CR27 (1C) | 12361-64022 |
| 12361-35070 | | Front Engine Mounting | CRESSID GX71 | 12361-35070 |
| 12361-35080 | 12361-18010 | 12361-25010/25012 | 12361-26041 | |
|  |  |  |  | |
| ITEMCODE | CODE | DESCRIPTION | CAR MODEL YEAR | OEM |
| 12361-35080 | | Front Engine Mounting | CRESIDA | 12361-35080 |
| 12361-18010 | | Front Engine Mounting | CORONA 3T | 12361-18010 |
| | | | COROLLA TE70 | |
| 12361-25010/25012 | | Front Engine Mounting | CELICA/CORONA 2T/13T79/ | 12361-25010/25012 |
| 12361-26041 | | Front Engine Mounting | TT130 (2T NEW) | 12361-26041 |

TOYOTA FRONT ENGINE MOUNTING

| 12301-13091 | 12301-13090 | 12302-22011 | 12301-22011 | |
|---|---|--|--|-------------|
|  |  |  | | |
| ITEMCODE | CODE | DESCRIPTION | CAR MODEL YEAR OEM | |
| 12301-13091 | | Front Engine Mounting (LH) | KM36, 5K | |
| 12301-13090 | | Front Engine Mounting | LITACE KM30/5K / RH | |
| 12302-22011 | | Front Engine Mounting (LH) | KE20 | |
| 12301-22011 | | Front Engine Mounting (RH) | KE20 | |
| 12302-24010 | 12301-24020 | 12302-13042 | 12301-13020 | |
|  |  |  |  | |
| ITEMCODE | CODE | DESCRIPTION | CAR MODEL YEAR OEM | |
| 12302-24010 | | Front Engine Mounting (LH) | KE30 | 12302-24010 |
| 12301-24020 | | Front Engine Mounting (RH) | KE30 | 12301-24020 |
| 12302-13042 | | Front Engine Mounting (LH) | KE70 | 12302-13042 |
| 12301-13020 | | Front Engine Mounting (RH) | KE70 | 12301-13020 |
| 12361-59015 | 12361-31011 | 12361-31060 | 12361-54012 | |
|  |  |  |  | |
| ITEMCODE | CODE | DESCRIPTION | CAR MODEL YEAR OEM | |
| 12361-59015 | | Front Engine Mounting | RT100 | |
| 12361-31011 | | Front Engine Mounting | CORONA RT130/RT140 / LH | |
| 12361-31060 | | Front Engine Mounting | CORONA RT130/RT140 / RH | |
| 12361-54012 | | Front Engine Mounting | CROWN LS100, 110/RH CROWN LS111 / RH | |
| 12362-54012 | 12361-49016 | 12361-63071 | 12361-74090 | |
|  |  |  | | |
| ITEMCODE | CODE | DESCRIPTION | CAR MODEL YEAR OEM | |
| 12362-54012 | | Front Engine Mounting | CROWN LS100, 110/RH CROWN LS111 / RH | 12362-54012 |
| 12361-49016 | | Front Engine Mounting | RS50, 5R, 1G | 12361-49016 |
| 12361-63071 | | Front Engine Mounting (FR, A/T | ST150, ST162 | 12361-63071 |
| 12361-74090 | | Front Engine Mounting | SX80, SX81 | 12361-74090 |
| 12361-76042 | 12361-46090 | PREVIA, ESTIMA, LUCIDA | 12361-76042 | |
| 12361-76042 | | Front Engine Mounting | 12361-76042 | |
| 12361-46090 | | Front Engine Mounting | 12361-46090 | |